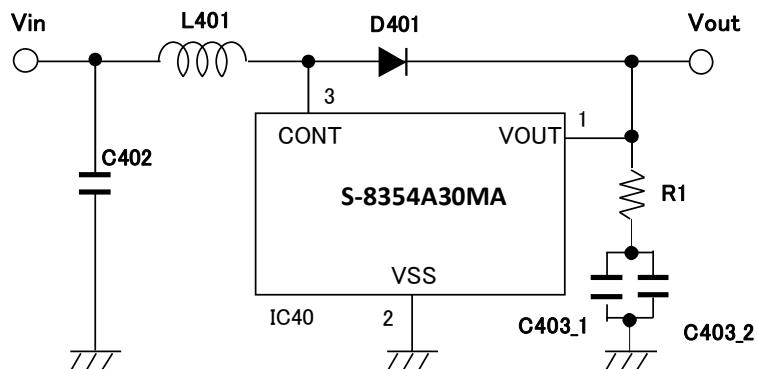


# S-8354A30MA Evaluation Board

## 1. Specification

$V_{in} = 0.9, 1.2, 2.3$  [V]  
 $V_{out} = 3.0$  [V]  
 $I_{out} = 0.1 \sim 10.0$  [mA]

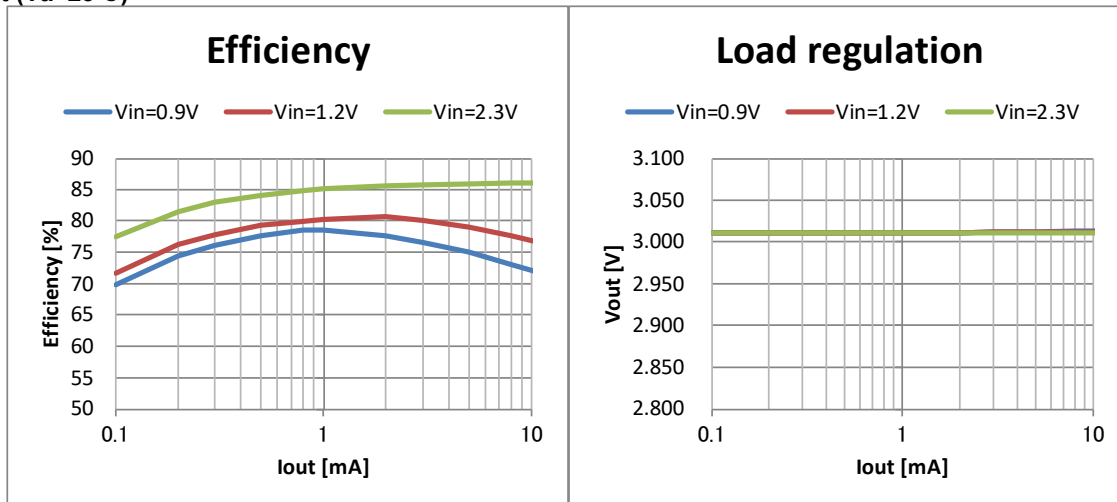
## 2. Circuit



## 3. Parts List

Symbol	Model	Maker	Value
IC401	S-8354A30MA	ABLIC Inc.	50KHz, PWM/PFM
L401	CDRH6D28NP-101NC	Sumida	100uH, 397mΩ, 540mA
D401	RB411D	ROHM	$I_o=0.5A$
R1	SR731JTBK F	KOA	$0.1 \Omega$
C402	C3216X7R1C106K	TDK	10uF, 16V
C403_1			
C403_2			

## 4. Result (Ta=25°C)



## 5. Board image

